

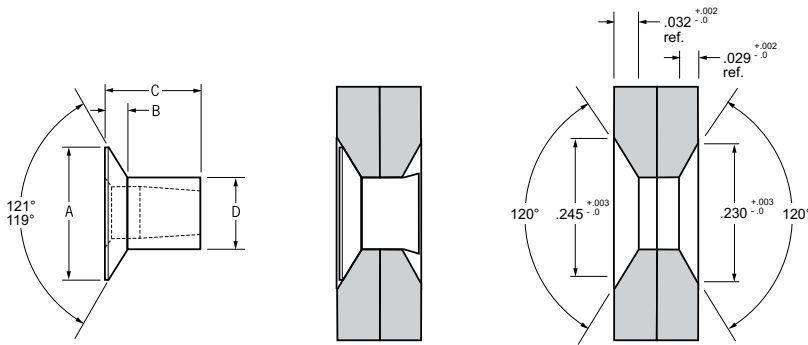
Double Flush Chobert® 1110

For installation information please refer to the tooling overview and manuals on our website www.avdel-global.com.
 Pour les conditions de pose, merci de vous référer à la description de l'outil et aux manuels disponibles sur notre site Web.
 Angaben zur Verarbeitung entnehmen Sie bitte der Geräteübersicht und den Betriebsanleitungen auf unserer Website.
 Per informazioni sull'installazione preghiamo consultare i manuali e la panoramica degli attrezzi sul nostro sito web.
 Para ver información sobre máquinas de colocación, consulte nuestra página web, apartados visión general de máquinas y manuales.



| English | Français | Deutsch | Italiano | Español |
|----------------------------|-------------------------------|----------------------------|-------------------------------------|---------------------------|
| 120° Countersunk | 120° Tête fraisée | 120° Senkkopf | 120° Testa svasata | 120° Cabeza avellanada |
| Low carbon steel* | Acier bas carbone* | Stahl* | Acciaio a basso tenore di carbonio* | Acero bajo en carbono* |
| Zinc plated | Revêtement zingué | Verzinkt | Zincato | Zincado |
| Clear trivalent passivated | Passivation claire trivalente | Klar chromatiert, Cr6-frei | Passivazione chiara trivalente | Pasivado claro trivalente |

*: EN 10263-2 C8C (DIN 10263-2 C8C, Qst 34-3)



Rear sheet tail protrusion of installed fastener is application dependent - up to .020" is permissible.
 Le dépassement en face arrière après pose dépend de l'application – possible jusqu'à .020".
 Der Bauteilüberstand des gesetzten Verbinders auf der Blindseite ist applikationsabhängig - bis zu .020" ist zulässig.
 L'entità della sporgenza posteriore del rivetto installato è dipendente dall'applicazione. Fino a .020" è ammessa.
 El remache una vez colocado, sobresale por la parte trasera de la chapa hasta un máximo de .020" permitidos.

| nom. | Ø | | Drill Bit | | A | B | C | D | lb ^{f1} | lb ^{f1} | Fasteners per pod/ Nombre de rivets par chargeur/ Niete pro Magazin/ Rivetti per caricatore/ Uds./carga | Part No/ref |
|------------------|------|------|-----------|------|------|------|------|------|------------------|------------------|---|-------------|
| | min. | max. | min. | max. | max. | max. | max. | max. | typ. | | | |
| 1/8" (3.2 mm) | .078 | .105 | .129 | .131 | .215 | .030 | .098 | .128 | 229 | 341 | 120 | 01110-11708 |
| | .095 | .115 | | | | | .110 | | | | 112 | 01110-11294 |

all dimensions in inch / en pouces / alle Maße in Zoll / in pollici / en pulgadas
 1) typical values / valeurs moyennes / typische Werte / Valori tipici / resistencias máximas recomendadas



An Acument™ Global Technologies Company

www.avdel-global.com

© 2009 Acument Intellectual Properties, LLC

Chobert® is a trademark of Avdel UK Limited

10.2009

Data shown is subject to change without prior notice as a result of continuous product development and improvement policy.
 Your local Avdel representative is at your disposal should you need to confirm latest information.