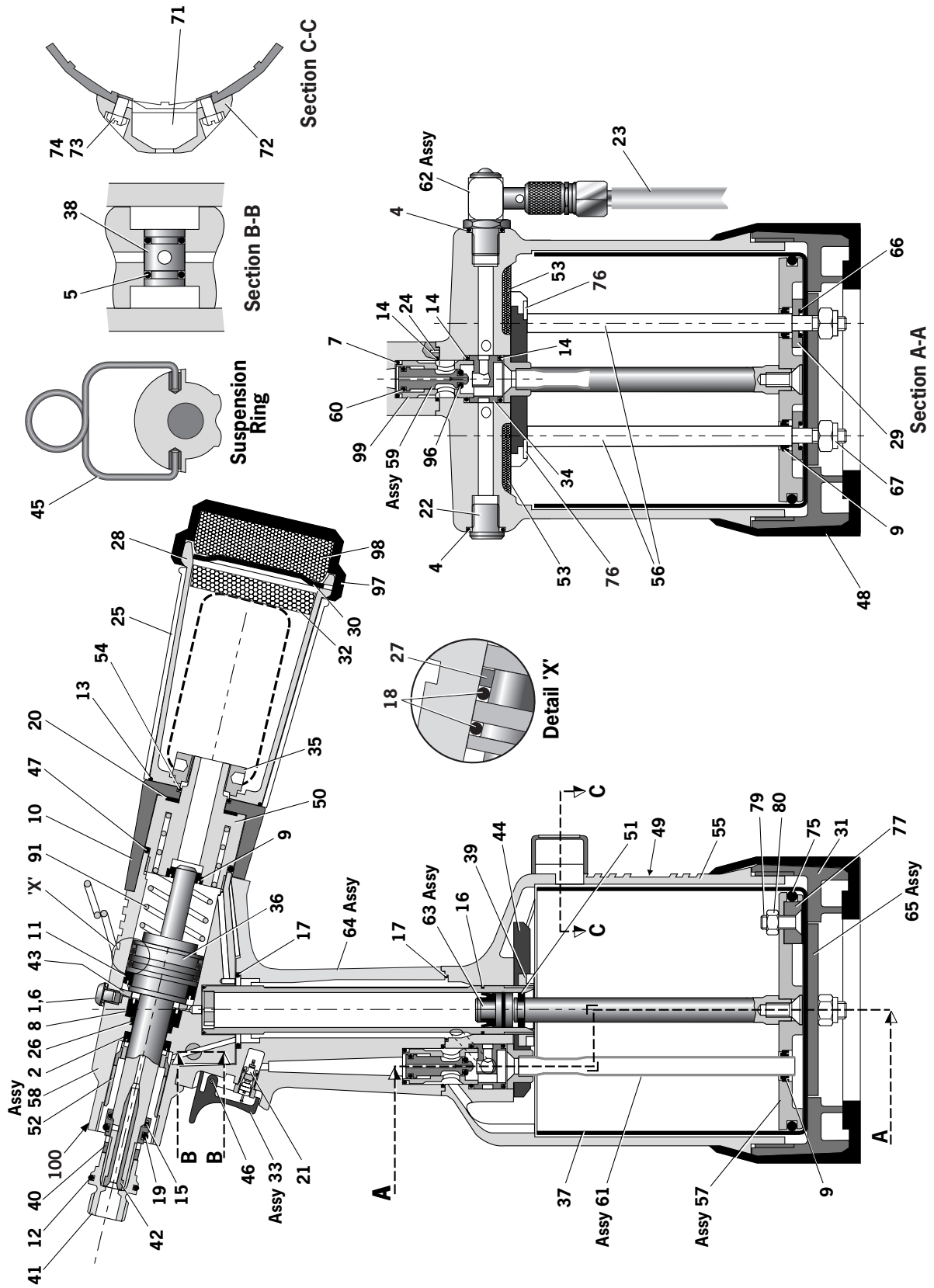


General Assembly of Base Tool 71234-02000



Parts List for 71234-02000

* These are minimum recommended levels of spares based on regular servicing									
71234-02000 PARTS LIST					DESCRIPTION				
ITEM	PART N°	DESCRIPTION	QTY	SPARES	ITEM	PART N°	DESCRIPTION	QTY	SPARES
01	71230-02041	BLEED SCREW *	1	2	43	71230-02019	SEAL RETAINER	1	1
02	07003-00333	LIP SEAL	1		44	71213-02010	TOP PLATE ASSEMBLY	1	1
04	07003-00127	'O' RING	2		45	71210-02022	SUSPENSION RING*	1	1
05	07003-00189	'O' RING	2		46	71210-02024	TRIGGER PIN*	1	2
06	07003-00194	M5 BONDED SEAL *	1	2	47	07003-00278	'O' RING	1	1
07	07003-00271	'O' RING	1		48	71221-02007	RUBBER BOOT	1	1
08	07003-00273	LIP SEAL	1		49	71233-02027	LABEL	1	1
09	07003-00274	LIP SEAL	4		50	71231-02001	END CAP ASSEMBLY	1	1
10	71403-02110	BOTTLE ADAPTOR ASSEMBLY	1		51	71230-03205	GUIDE RING	1	1
11	07003-00341	LIP SEAL	1		52	71210-02104	SEAL HOUSING	1	1
12	07003-00277	'O' RING	1		53	71210-02031	SILENCER	2	2
13	07003-00311	'O' RING* #	1	3	54	07003-00067	'O' RING	1	1
14	07003-00281	'O' RING	3		55	71223-02001	BODY MACHINED	1	1
15	07003-00204	'O' RING	1		56	71221-02004	TIE ROD	2	2
16	07003-00287	'O' RING	1		57	71231-03210	PNEUMATIC PISTON ASSEMBLY	1	1
17	07003-00288	'O' RING	2		58	71233-03300	HEAD ASSEMBLY	1	1
18	07003-00342	'O' RING	2		59	71210-03400	VALVE SPOOL ASSEMBLY*	1	1
19	07003-00310	'O' RING	1		60	07003-00042	'O' RING	1	1
20	71210-02029	SEAL *	1	1	61	71230-03600	TRANSFER TUBE ASSEMBLY	1	1
21	07005-00088	TRIGGER VALVE *	1	1	62	71210-03700	ON/OFF VALVE ASSEMBLY*	1	1
22	07005-01274	1/8" BSP PLUG	1		63	71230-03800	INTENSIFIER SEAL ASSEMBLY	1	1
23	07008-00010	6" FLEXIBLE HOSE	1		64	71213-02013	HANDLE ASSEMBLY	1	1
24	07007-00224	3mm DIA x 10mm SPROL PIN	2		65	71221-02014	BASE PLATE ASSEMBLY	1	1
25	07640-00239	STEM COLLECTOR BOTTLE OUTER* #	1	1	66	07003-00027	'O' RING	2	2
26	71213-02021	BEARING TAPE - PISTON ROD	1		67	07002-00108	M6 NYLOC NUT	2	2
27	71213-02022	BEARING TAPE - PISTON	1		71	71221-20105	MODIFIED COUNTER	1	1
28	71210-02051	STEM COLLECTOR BODY* #	1	1	72	71221-20101	COUNTER MouldING	1	1
29	71221-02006	SEALING WASHER	2		73	71221-20103	MouldING RETAINING NUT	2	2
30	07340-00335	STEM COLLECTOR END CAP* #	1	1	74	71221-20102	SPECIAL M4 SCREW	2	2
31	71221-02002	BASE COVER	1		75	07003-00182	'O' RING	1	1
32	07640-00244	SILENCER* #	1	1	76	07002-00163	WASHER	2	2
33	71213-02008	TRIGGER ASSEMBLY	1	1	77	07007-01993	CENTRE POLE MAGNET	1	1
34	71210-02009	VALVE SEAT	1		79	71221-20104	M5 X 19 COUNTERSUNK SCREW	1	1
35	71210-02028	RETAINING NUT* #	1	1	80	07002-00098	M5 NYLOC NUT	1	1
36	71233-02121	HEAD PISTON	1		91	07490-03002	SPRING	1	1
37	71221-02008	CYLINDER LINER	1		96	07003-00268	'O' RING	1	1
38	71213-02012	ROTARY VALVE	1		97	71210-02034	SILENCER CAP* #	2	1
39	71210-02014	CLAMP NUT*	1	1	98	71210-02035	SILENCER* #	1	1
40	71230-02015	LOCKNUT*	1	1	99	71210-03401	VALVE BODY	1	1
41	71210-02101	JAW SPREADER HOUSING	1		100	07007-01503	LABEL BOOK SYMBOL	1	1
42	71230-02102	VACUUM SLEEVE	1		103	07900-00844	TOOL INSTRUCTION MANUAL	1	1

These items are available as a complete kit 71210-20400